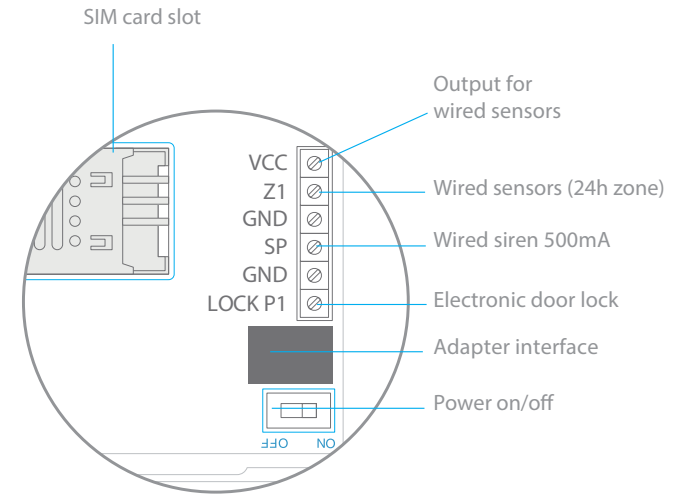
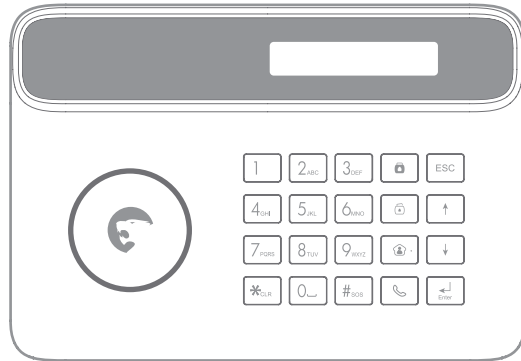
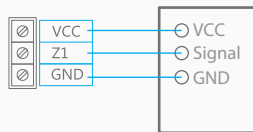


## S4 control panel

Wired accessories

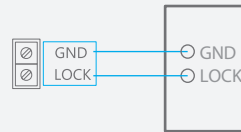


### Wired detector



**Wired detector**  
VCC = 7V to 12V

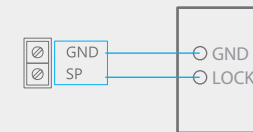
### Electronic door lock



**Electronic door lock**  
Door lock output:  
- negative by default  
- high signal when disarmed by RFID tag



### Siren



**Siren**  
SP output by default: 0V  
SP output when the alarm is triggered: 11V